

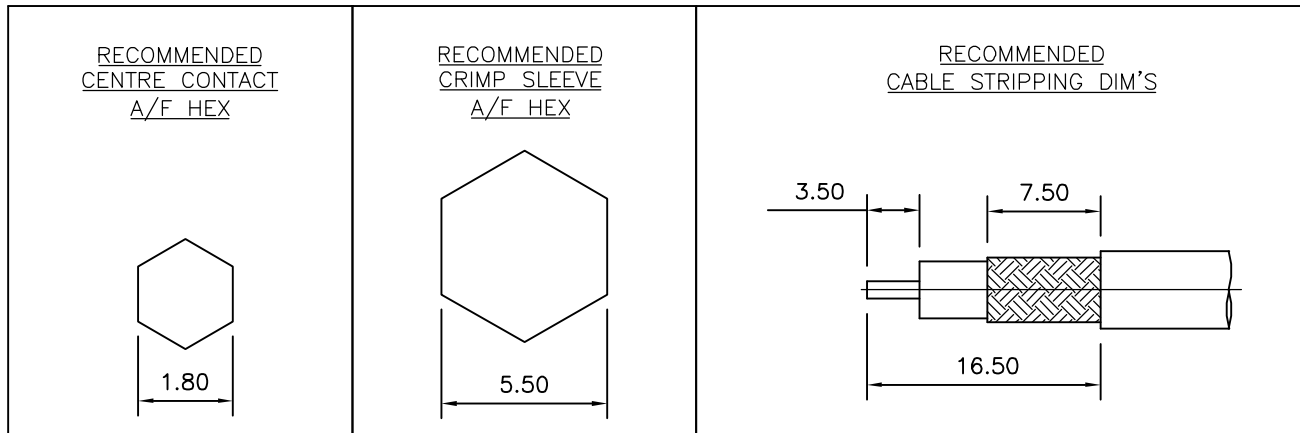
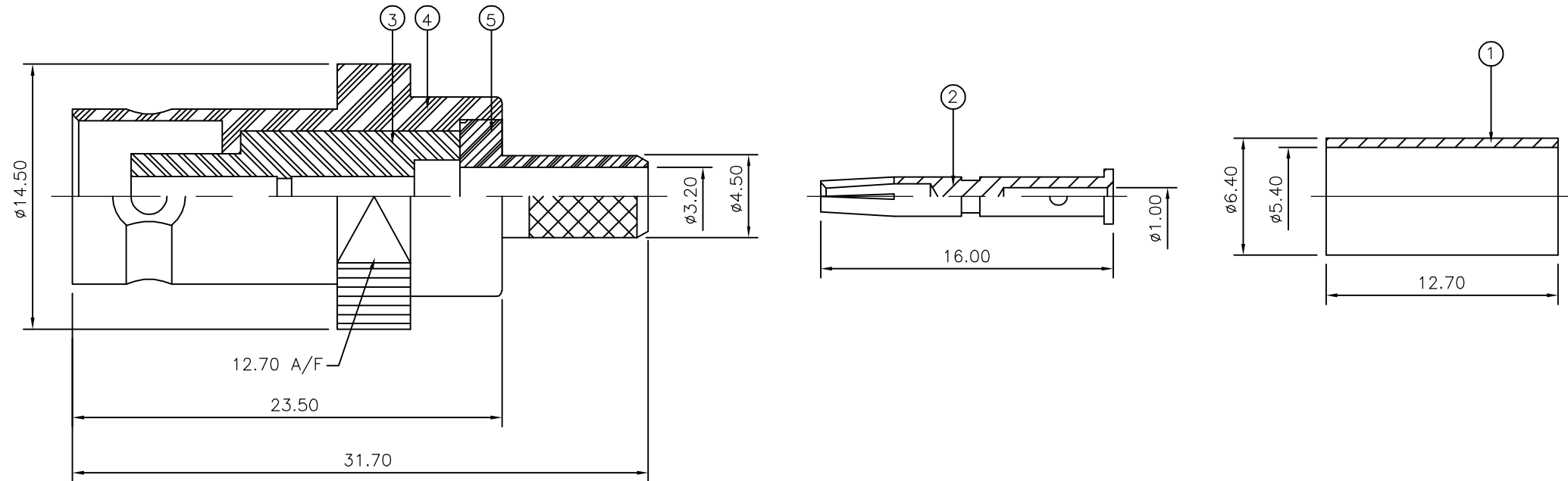
THIS DRAWING IS UNPUBLISHED. RELEASED FOR PUBLICATION NOV ,2005.

© COPYRIGHT 2005 BY TYCO ELECTRONICS CORPORATION. ALL RIGHTS RESERVED.

LOC	DIST	REVISIONS					
E	B	P	LTR	DESCRIPTION	DATE	DWN	APVD
		C		ECR-05-016219	24NOV05	JMS	FWK

NOTES:

- ① PACK IN ACCORDANCE WITH AMP SPEC 107-3275
- ② 100 TRAY PACK IN ACCORDANCE WITH AMP SPEC 107-3275
- ③ Ag PLATING
- 4 HAND TOOL : 9-1478240-0
- 5 DIE SET : 9-1478242-0
- 6 ELECTRICAL CHARACTERISTICS
 - FREQUENCY RANGE: DC - 4 GHz
 - NOMINAL IMPEDANCE: 50 Ohm
 - INSULATION RESISTANCE: 5000 MOhm
 - WORKING VOLTAGE: 500 Volts RMS at Sea Level
 - DIELECTRIC WITHSTAND VOLTAGE: 1500 Volts RMS Max
 - CONTACT RESISTANCE:
 - CENTRE CONTACT: 1.50 mOhm Max
 - OUTER CONTACT: 0.20 mOhm Max
 - VSWR @ 4GHz: 1.30:1 Max
 - INSERTION LOSS dB @ x 3 GHz: 0.20 Max
- 7 MECHANICAL CHARACTERISTICS
 - COUPLING NUT RETENTION FORCE: N/A
 - CABLE RETENTION FORCE: 170N Min
 - DURABILITY: 500 Cycles Min
- 8 ENVIRONMENTAL CHARACTERISTICS
 - OPERATING TEMPERATURE: -65 to +165 DegC



QTY	PLC	DESCRIPTION	ITEM
1	1	BRASS CHASSIS	5
1	1	BRASS BODY	4
1	1	PTFE INSULATION	3
1	1	BRASS CONTACT	2
1	1	BRASS FERRULE	1
6--0	1--0	MATERIAL	DESCRIPTION
QUANTITY PER ASSY		PARTS LIST	

THIS DRAWING IS A CONTROLLED DOCUMENT.		DWN J.SANDWELL 24NOV05	Tyco Electronics Corporation Bideford EX39 4HE											
DIMENSIONS: mm		CHK S.PARLOW 24NOV05												
TOLERANCES UNLESS OTHERWISE SPECIFIED:		APVD F.WHEELER-KING 24NOV05	NAME BNC STRAIGHT JACK CRIMP 50 OHM RG58C/U, 141A/U, URM43, 76, KX15											
<table border="1"> <tr><td>0 PLC</td><td>± -</td></tr> <tr><td>1 PLC</td><td>± -</td></tr> <tr><td>2 PLC</td><td>± -</td></tr> <tr><td>3 PLC</td><td>± -</td></tr> <tr><td>4 PLC</td><td>± -</td></tr> <tr><td>ANGLES</td><td>± -</td></tr> </table>		0 PLC		± -	1 PLC	± -	2 PLC	± -	3 PLC	± -	4 PLC	± -	ANGLES	± -
0 PLC	± -													
1 PLC	± -													
2 PLC	± -													
3 PLC	± -													
4 PLC	± -													
ANGLES	± -													
MATERIAL SEE TABLE		APPLICATION SPEC 411-3247	RESTRICTED TO -											
FINISH -		WEIGHT -	SIZE A3 CAGE CODE 00779 DRAWING NO C-1337442											
CUSTOMER DRAWING		SCALE NTS	SHEET 1 OF 1 REV C											